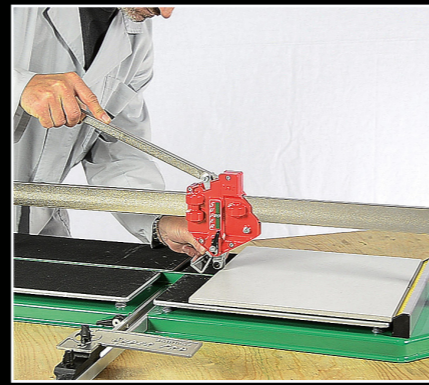




LEFT-HANDED OPERATORS
Suitable also for left-handed operators.



PACKAGING
Multilingual flexographed packaging.



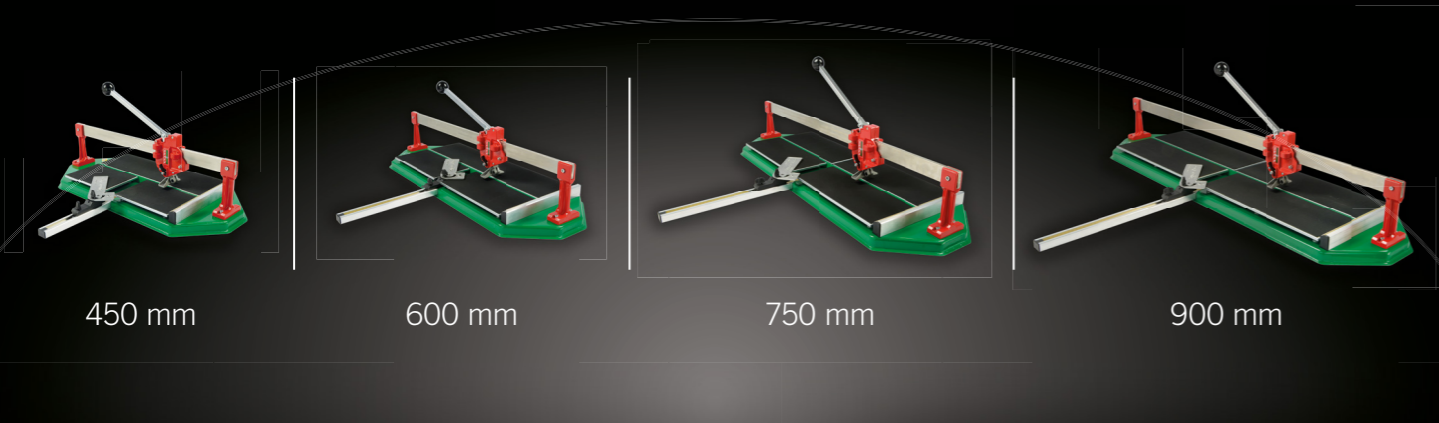
AT WORK

SUPER PRO

PROFESSIONAL MANUAL TILE CUTTER



	Art. 3045	Art. 3060	Art. 3075	Art. 3090
CUTTING LENGTH	450 mm.	600 mm.	750 mm.	900 mm.
MAX SIZE TILE FOR DIAGONAL CUTS	318 x 318 mm.	424 x 424 mm.	530 x 530 mm.	636 x 636 mm.
CUTTING THICKNESS	5-19 mm			
CUTTING WHEEL	Ø 22 x 6,1 x 4,7 mm.			
PACKING DIMENSION	720x340x160 mm.	860x340x160 mm.	1010x340x160 mm.	1160x340x160 mm.
PIECES ON PALLET	33	22		
PALLET DIMENSION	730x1170x2040 mm.	730x870x2040 mm.	730x1030x2040 mm.	730x1170x2040 mm.
NET WEIGHT	12,5 Kg.	13,5 Kg.	16 Kg.	18,5 Kg.



450 mm

600 mm

750 mm

900 mm



Republica Moldova, MD-2023
mun. Chişinău, str. Uzinelor 90
+ /373/ 67 707 707
office@etop.md
www.etop.md

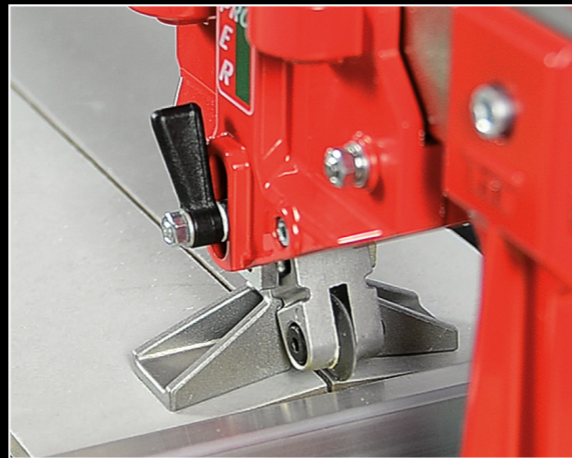
APPLICATION

Built to cut single-double fired ceramic and porcelain stoneware tiles



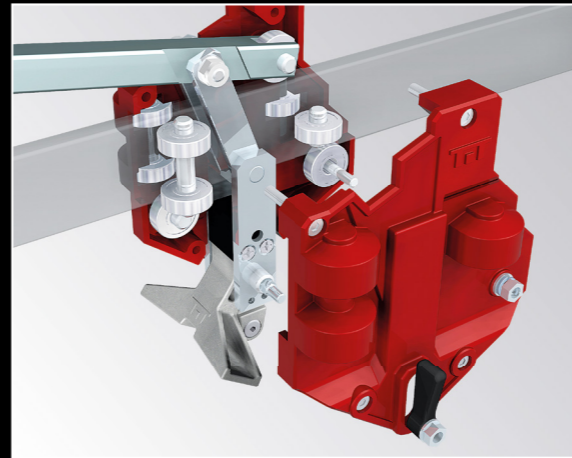
STRAIGHT CUTS

Very fast and precise.
Fence with direct reading of measurement on its supporting rod for straight cuts.



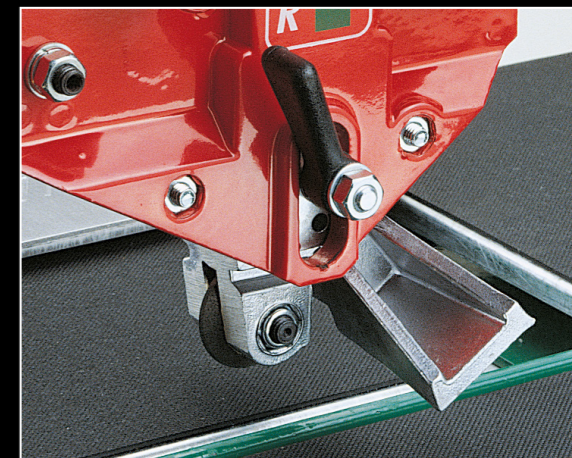
BREAKING FOOT

Large dimension.
Straight and diagonal tile cutting possible in every point.



CARRIAGE

Carriage with 9 ball-bearings, 4 of which are adjustable to assure a perfect sliding and top precision.



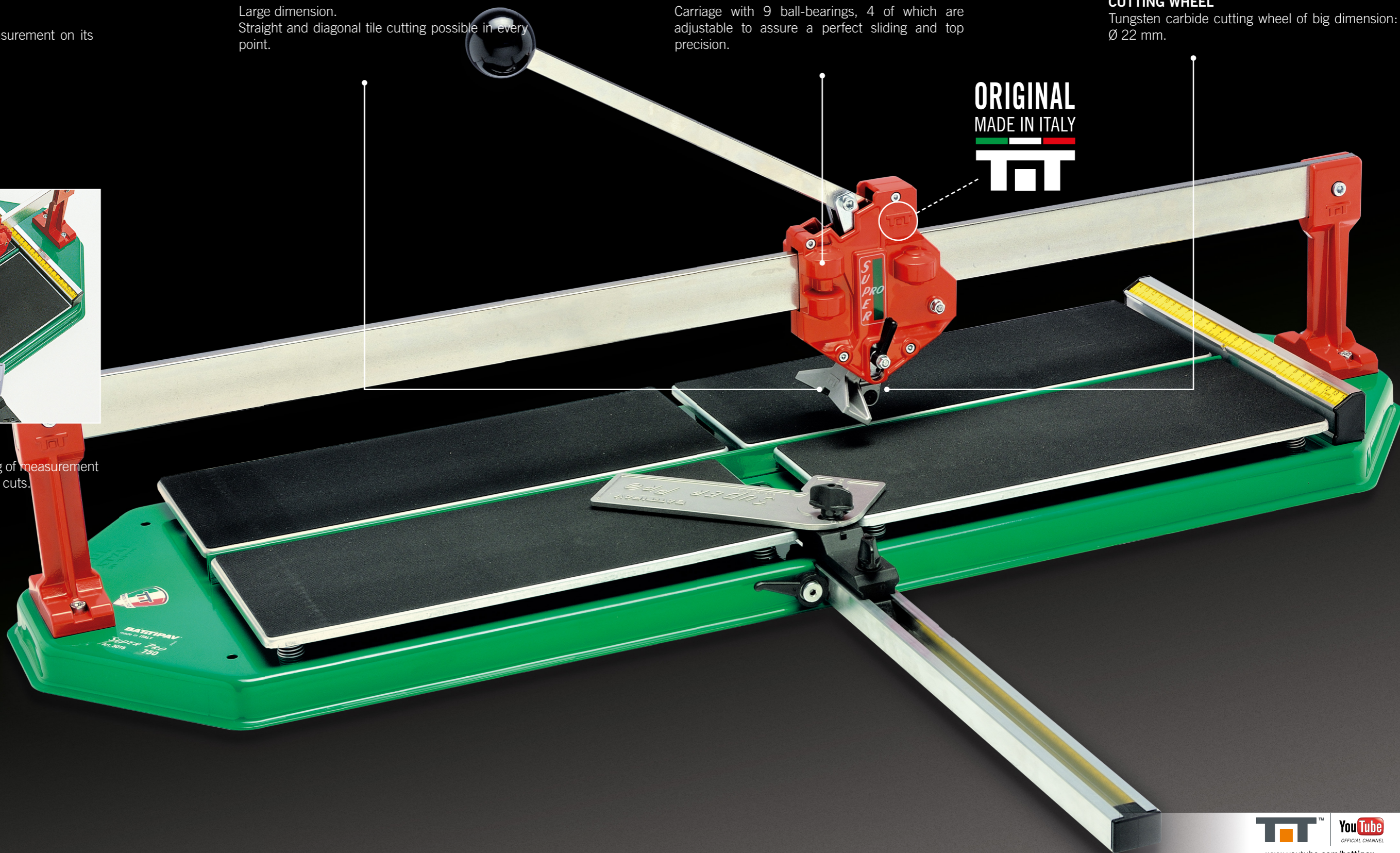
CUTTING WHEEL

Tungsten carbide cutting wheel of big dimension: Ø 22 mm.



DIAGONAL CUTS

Diagonal fence with direct reading of measurement on its supporting rod for diagonal cuts.



ORIGINAL
MADE IN ITALY