

# Autopilot lowlifter truck 2.5 ton

**BT levio**  
*AUTOPILOT*  
LAE250



# Autopilot lowlifter truck

Specifications					LAE250
Identification	1.1	Manufacturer			Toyota
	1.2	Model			LAE250
	1.3	Drive			Electric
	1.4	Operator type			Automatic/Pedestrian
	1.5	Load capacity/rated load	Q	kg	2500
	1.6	Load centre	c	mm	600
	1.8	Load distance, lowered/raised forks	x	mm	776/726
	1.9	Wheelbase, lowered/raised forks	y	mm	1536/1486
	Weight	2.1	Service weight without battery		kg
2.2		Axle load, with load, drive/castor/fork wheel		kg	674/469/2415
2.3		Axle load, without load, drive/castor/fork wheel		kg	374/391/296
Wheels	3.1	Drive/castor/fork wheel			Vulkollan®/Polyurethane/Vulkollan®
	3.2	Wheel size, front		mm	Ø 230x70
	3.3	Wheel size, rear		mm	Ø 85x75
	3.4	Additional wheels (dimensions)		mm	Ø 125x50
	3.5	Wheels, number front/rear (x = driven wheels)			1x+2/4
	3.6	Track width, front	b <sub>10</sub>	mm	585
	3.7	Track width, rear	b <sub>11</sub>	mm	367
Dimensions	4.4	Lift	h <sub>3</sub>	mm	120
		Lift height	h <sub>23</sub>	mm	207,5
	4.9	Height of tiller in drive position, min./max.	h <sub>14</sub>	mm	1150/1385
		Total height with scanner	h <sub>20</sub>	mm	2381/2969
		Laser scanner beamer height	h <sub>21</sub>	mm	2362/2950
	4.15	Height, fork lowered	h <sub>13</sub>	mm	87,5
	4.19	Overall length	l <sub>1</sub>	mm	See battery and fork length dependent table.
	4.20	Length to face of forks	l <sub>2</sub>	mm	See battery and fork length dependent table.
	4.21	Overall width	b <sub>1</sub>	mm	930
	4.22	Fork dimensions	s/e/l	mm	70/180/1200
	4.25	Width over forks	b <sub>5</sub>	mm	520/550/675
	4.26	Distance between forks	b <sub>4</sub>	mm	160/190/315
	4.32	Ground clearance, centre of wheelbase	m <sub>2</sub>	mm	17,5
	4.34	Aisle width for pallets 800x1200 lengthways	A <sub>st</sub>	mm	See battery and fork length dependent table.
	4.35	Turning radius	W <sub>a</sub>	mm	See battery and fork length dependent table.
Performance data	5.1	Travel speed, drive wheel/fork direction, manual mode with platform		km/h	6,0/6,0
		Travel speed, drive wheel/fork direction, manual mode		km/h	2,0/4,0
	5.1.1	Travel speed, drive wheel/fork direction, automatic mode		km/h	8,0/1,1
	5.2	Lift speed, with/without load		m/s	0,05/0,08
	5.3	Lowering speed, with/without load		m/s	0,09/0,09
	5.8	Max. gradeability, with/without load		%	6/10
5.10	Service brake				Electromagnetic
Electric motor	6.1	Drive motor rating S2 60 min		kW	1.8
	6.2	Lift motor rating at S3 10%		kW	3
	6.4	Battery voltage/nominal capacity K <sub>5</sub> Lead-acid		V/Ah	24/225-500
		Battery voltage/nominal capacity K <sub>5</sub> Li-Ion		V/Ah	24/300
	6.5	Battery weight		kg	216-368
Others	8.1	Type of drive control			Variable AC
	8.4	Sound level at the driver's ear acc to EN12 053		dB(A)	<70
		Safety of laser products			Class 1 (EC 60825-1)
		Height from floor to upside battery rollers		mm	140
		Height from floor to centre of autocharging plate		mm	359
	Distance centre of fork wheel to centre of autocharging plate		mm	1189/1139	

n) = New value / text since previous version of the data sheet

All data are based on table configuration. Other configurations may give other values.

Truck performance and dimensions are nominal and subject to tolerances.

Toyota Material Handling Manufacturing Sweden AB products and specifications are subject to change without notice.

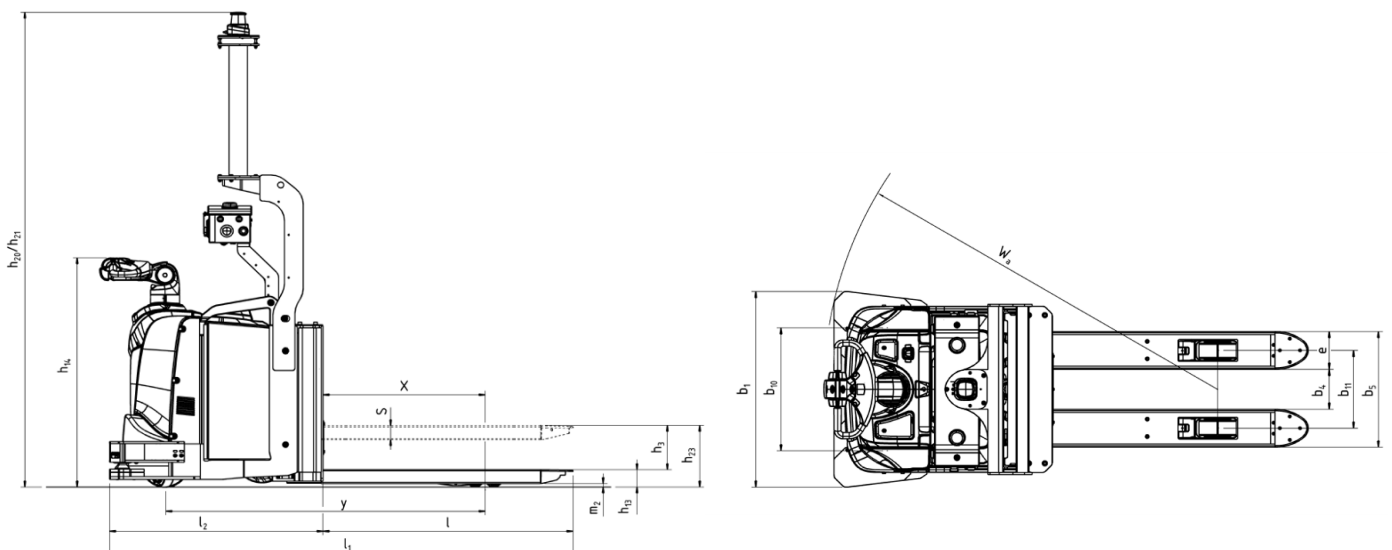
# Battery and forklift dependent dimensions

Dimensions			Battery compartment	Small	Large
1.8	Load distance, lowered / raised forks	x			
	FL 1200		mm	776/726	776/726
	FL 1300		mm	776/726	776/726
	FL 1650		mm	1051/1001	1051/1001
	FL 2450		mm	1686/1636	1686/1636
1.9	Wheelbase, lowered / raised forks	y			
	FL 1200		mm	1439/1389	1536/1486
	FL 1300		mm	1439/1390	1536/1486
	FL 1650		mm	1714/1664	1811/1761
	FL 2450		mm	2349/2299	2446/2396
4.19	Overall length <sup>1)</sup>	$l_1$			
	FL 1200		mm	2130	2227
	FL 1300		mm	2230	2327
	FL 1650		mm	2580	2677
	FL 2450		mm	3380	3477
4.20	Length to face of forks	$l_2$	mm	930	1027
4.35	Turning radius, lowered / raised forks	$W_a$			
	FL 1200		mm	1755/1705	1850/1800
	FL 1300		mm	1755/1705	1850/1800
	FL 1650		mm	2024/1974	2118/2069
	FL 2450		mm	2649/2599	2744/2694
6.5	Battery weight, min.-max.		kg	195-270	345-403

1) Mechanical fork bumper will extend forks 41mm (suspension movement)

## Aisle width Auto mode

LAE250	A <sub>st</sub> Rotate on point, PPS muted, Lowerd forks				
	Short side handling	Load width	mm	800	800
	Load length	mm	1200	1600	2400
Battery comp.	PPS in fork direction				
Large	Yes/No	mm	2670	3039	3806
Small	Yes/No	mm	2575	2944	3711



## Truck features:

- Automatic — loading and unloading
  - horizontal transport
  - horizontal deep stacking
- Manual handling
- Laser precision navigation
- Personal safety protection drive direction
- Personal safety protection along sides
- Personal safety protection fork direction (optional)
- Obstacle detection, top (optional)
- Obstacle detection, front (optional)
- Mechanical fork bumper (optional)
- Auto charging Lithium Ion battery (optional)
- Load detection & fork tip sensors
- Information display
- Electronic regenerative braking system
- Sideway battery change

*Other features are available on request.*



**ETOP**  
creat să reziste

Republica Moldova, MD-2023  
mun. Chișinău, str. Uzinelor 90  
+ /373/ 67 707 707  
office@etop.md  
[www.etop.md](http://www.etop.md)

**TOYOTA**

MATERIAL HANDLING