

# Autopilot towing truck 5.0 ton

**TRACTO**

**AUTOPILOT**

TAE500



# Towing truck

Truck specifications				TAE500	
Identification	1.1	Manufacturer		Toyota	
	1.2	Model		TAE500	
	1.3	Drive		Electric	
	1.4	Operator type		Stand on/Autom.	
	1.5	Rated capacity /rated load	Q	kg	5000/5000
	1.7	Rated drawbar pull	F	N	1150
		Maximum drawbar pull	F	N	3500
	1.9	Wheelbase	y	mm	1319
Weight	2.1	Service weight without battery		kg	855
	2.3	Axle load with battery <sup>1)</sup> , drive wheel/support arm wheels		kg	848/497
Wheels	3.1	Drive/support arm wheels			Vulkollan®
	3.2	Wheel size, front	Ø	mm	250x92
	3.3	Wheel size, rear	Ø	mm	140x70
Dimensions	4.2.1	Overall height without scanner	$h_{15}$	mm	2257
		Total height with navigation scanner	$h_{20}$	mm	2392/2969
		Height navigation scanner eye	$h_{21}$	mm	2356/2933
	4.8	Stand height	$h_7$	mm	130
	4.12	Coupling height			
		Towing pin Ø20, auto	$h_{10}$	mm	263
		Towing pin Ø20, manual	$h_{10}$	mm	188/283/378/473
		Towing ball Ø50mm	$h_{10}$	mm	298/393/488/583
	4.19	Overall length	$l_1$	mm	1757
	4.21	Overall width	$b_1/b_2$	mm	950/800
	4.26	Width between support arm wheels	$b_4$	mm	613
4.32	Ground clearance, centre of wheelbase	$m_1/m_2$	mm	62/71	
4.35	Turning radius	$W_a$	mm	1597	
4.44	Clear width driver compartment entrance	$l_{24}$	mm	450	
Performance data	5.1	Travel speed, drive wheel direction. with/without load			
		Manual mode		km/h	6,0/11,0
		Auto mode Towing pin, auto		km/h	6,0/8,0
		Auto mode Towing pin, manual		km/h	6,0/6,0
5.7	Gradeability, with/without load		%	3/13	
5.10	Service brake			1 stage electromagnetic	
Electric motor	6.1	Drive motor rating S2 60 min		kW	2,8
	6.4	Battery voltage, nominal capacity $K_5$ , Lead-acid		V/Ah	24/465,620
		Battery voltage, nominal capacity $K_5$ , Li-Ion		V/Ah	24/300
	6.5	Battery weight, min./max.		kg	338/538
Other	8.1	Type of drive control			Variable AC
	8.4	Sound level at the driver's ear according to EN 12 053			65,7

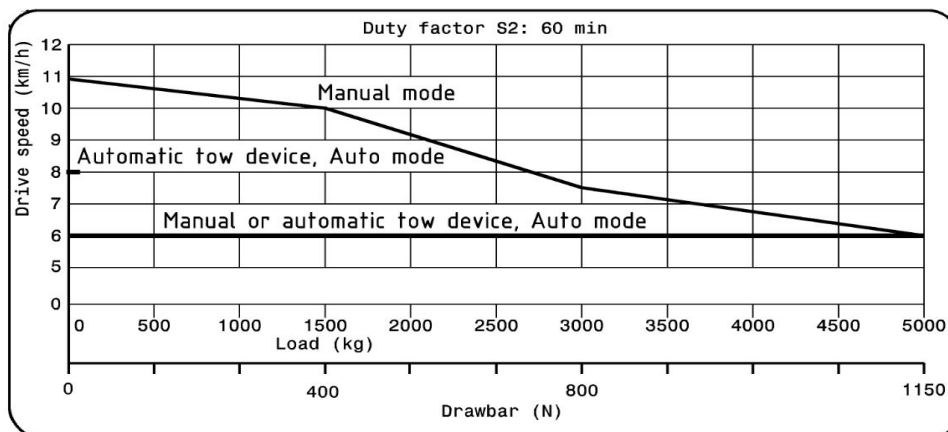
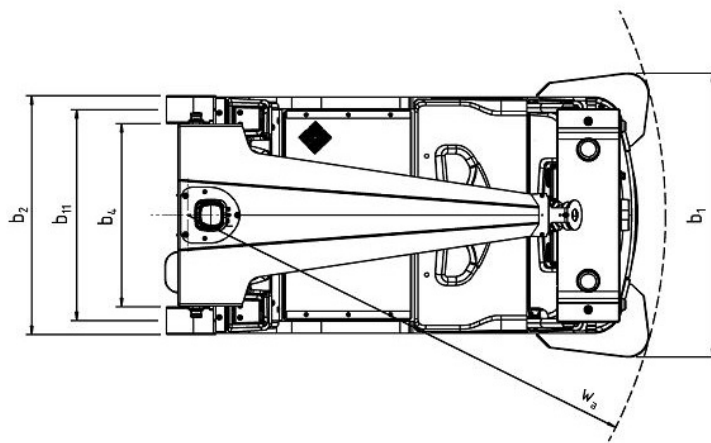
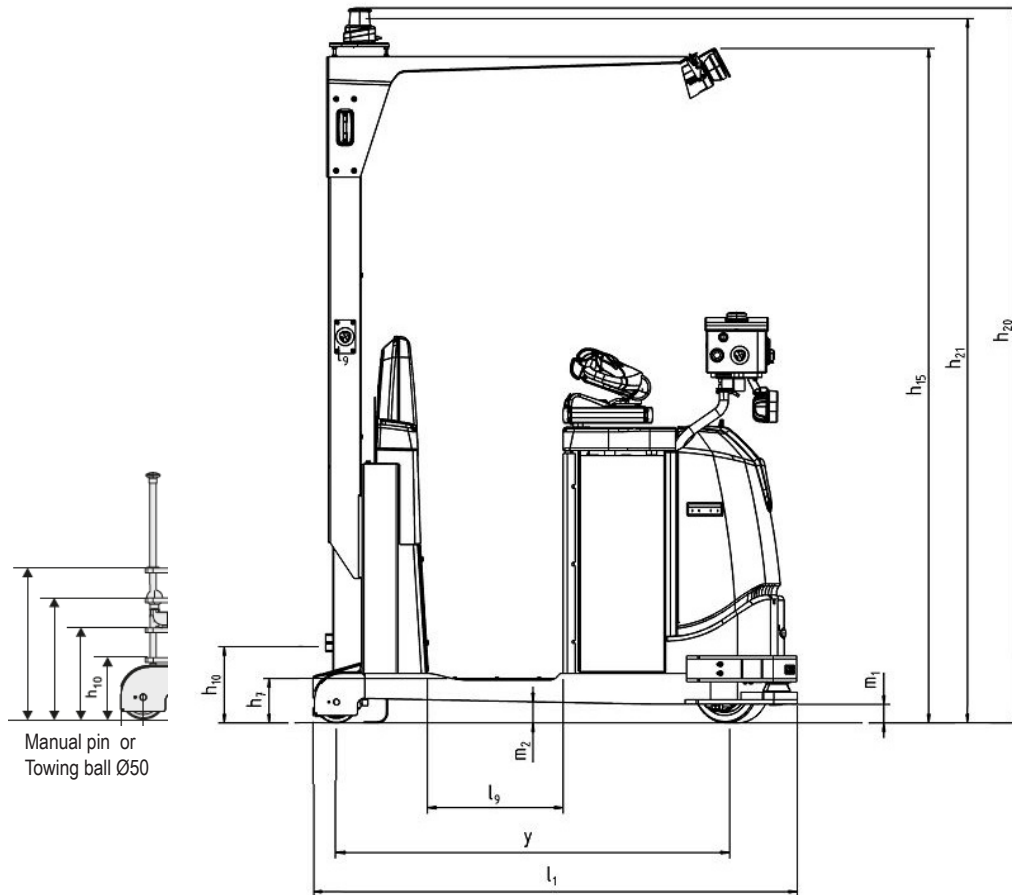
<sup>1)</sup> Including 490kg battery

All data are based on table configuration. Other configurations may give other values.

Truck performance and dimensions are nominal and subject to tolerances.

Toyota Material Handling Manufacturing Sweden AB products and specifications are subject to change without notice.

# Dimensional drawings



## Truck features:

- High performance model
- Manual handling
- Automatic handling
- Laser precision navigation.
- Personal safety protection in drive direction.
- Personal safety protection along sides.
- Personal protection in reverse direction. (optional)
- Obstacle detection, front. (optional)
- Obstacle detection, top. (optional)
- Blue/red LED warning light in drive direction. (optional)
- Automatic tow coupling device. (optional)
- Manual tow coupling device. (optional)
- Power supply for host carrier. (optional)
- Automatic charging, Li-Ion battery. (optional)
- Information display



**ETOP**  
creat să reziste

Republica Moldova, MD-2023  
mun. Chișinău, str. Uzinelor 90  
+ /373/ 67 707 707  
office@etop.md  
[www.etop.md](http://www.etop.md)

**TOYOTA**

MATERIAL HANDLING