

▼ Shown from top to bottom: P802, P842, P202, P142



- Lightweight and compact design
- Durable glass-filled nylon reservoir and nylon encapsulated aluminium pump base for maximum corrosion resistance
- Two-speed operation reduces handle strokes by as much as 78% over single speed pumps
- Lower handle effort to minimize operator fatigue
- Integral 4-way valve on P842 for operation of double-acting cylinders
- Handle lock and lightweight construction for easy carrying
- Large oil capacities to power a wide range of cylinders or tools
- Non-conductive fiberglass handle for improved operator safety
- Internal pressure relief valve for overload protection.

▼ Cylinder-pump set SCR254H used to support the construction while monitoring pressure and load with the gauge.



Exclusively from Enerpac



Cylinder Matching Chart

For help in selecting the correct hand pump for your application, please refer to the Cylinder Matching Chart located in the 'Yellow Pages'.

Page: 398



Speed Chart

To determine how a specific pump will operate your cylinder, see the Pump-Cylinder Speed Chart in the 'Yellow Pages'.

Page: 405



Tank Kits:

When a return-to-tank port is required, the Tank Kits provide a 7/16"-20 UN port at the rear of the reservoir.

PC20	Fits P141, P142
PC25	Fits P202, P391, P392



Power Box

Portable tool box with P392 hand pump, gauge adaptor assembly, hose and RC-, RCS, RSM-or WR-Serie cylinder.

Page: 65

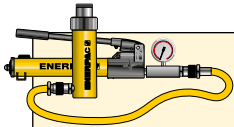
Pump Type	Usable Oil Capacity (cm ³)	Model Number	Pressure Rating ²⁾ (bar)		Oil Displacement per Stroke (cm ³)		Max. Handle Effort (kg)
			1 st stage	2 nd stage	1 st stage	2 nd stage	
Single-Speed	327	P141	-	700	-	0,90	32,7
	901	P391	-	700	-	2,47	38,6
Two-Speed	327	P142 ¹⁾	13	700	3,62	0,90	35,4
	901	P202	13	700	3,62	0,90	28,6
	901	P392 ¹⁾	13	700	11,26	2,47	42,2
	2540	P802	27	700	39,33	2,47	43,1
	2540	P842 ³⁾	27	700	39,33	2,47	43,1

¹⁾ Available as set, see note on next page. P392 also available in Power Box Set (page 65).

²⁾ Contact Enerpac for applications where operating pressure is less than 10% of pressure rating.

³⁾ P842 for use with double-acting cylinders

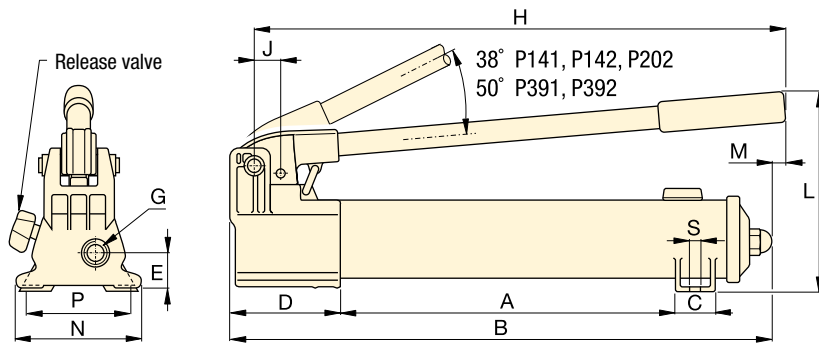
Lightweight Hand Pumps



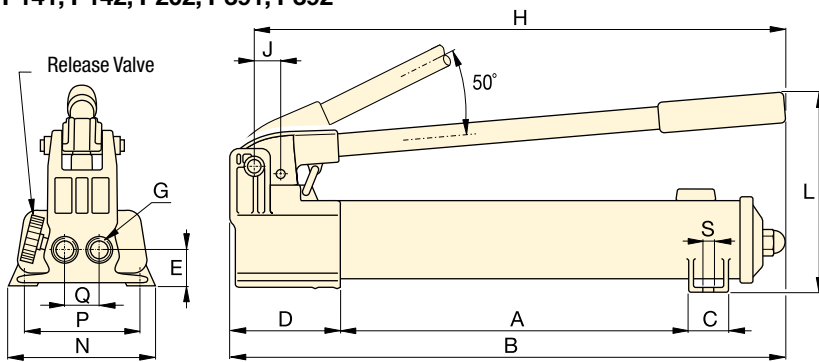
Pump-Cylinder Sets

All pumps marked with an * are available as sets (pump, cylinder, gauge, couplers and hose) for your ordering convenience.

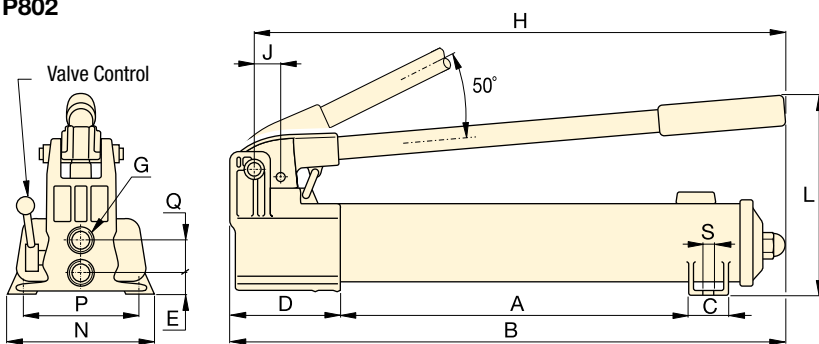
Page: 62



P141, P142, P202, P391, P392



P802



P842

P Series



Reservoir Capacity:

327 - 2540 cm³

Flow at Rated Pressure:

0,90 - 2,47 cm³/stroke

Operating Pressure:

700 bar



Hoses

Enerpac offers a complete line of high quality hydraulic hoses. To ensure the integrity of your system, specify only genuine Enerpac hydraulic hoses.

Page: 128



GA45GC Gauge Adaptor

Protect yourself from system overloading by simply ordering one part number for a pre-assembled gauge, adaptor block and coupler.

Page: 142



Foot Pump P392FP

For handsfree operation the lightweight and robust P392FP Foot Pump is the perfect choice.

Page: 83

Piston Stroke	Dimensions (mm)															Model Number
	(mm)	A	B	C	D	E	G	H	J	L	M	N	P	Q	S	
12,7	185	336	28	85	28	¼"-18 NPTF	319	19	143	-	95	80	-	7	2,4	P141
25,4	344	533	36	99	33	¾"-18 NPTF	522	30	177	16	120	-	-	-	4,1	P391
12,7	185	336	28	85	28	¼"-18 NPTF	319	19	143	-	95	80	-	7	2,4	P142 ¹⁾
12,7	344	509	36	85	28	¼"-18 NPTF	400	19	144	16	95	-	-	-	3,4	P202
25,4	344	533	36	99	33	¾"-18 NPTF	522	30	177	16	120	-	-	-	4,1	P392 ¹⁾
25,4	337	552	45	133	35	¾"-18 NPTF	527	30	228	-	181	153	35	10	8,2	P802
25,4	337	552	45	133	20	¾"-18 NPTF	527	30	228	-	181	153	36	10	10,0	P842 ³⁾