

▼ 2 and 3-Jaw Hydraulic Lock-Grip Pullers



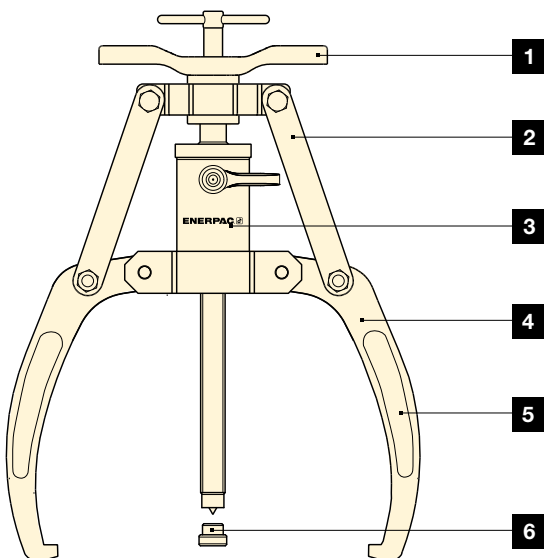
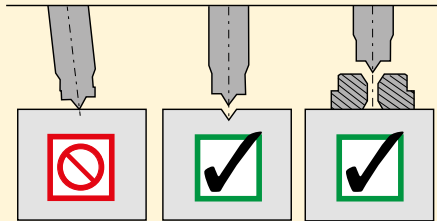
The simple, safe and cost-effective way to remove shaft-mounted parts

- Quickly and easily mount on a wide range of applications
- Hydraulically applied pulling force increases pulling capacity, reducing operator fatigue
- Lock-on jaws offer a secure grip for safe and easy operation
- Synchronous jaw movement enables entire pulling job to be performed by a single operator
- Available in 2 and 3-jaw configurations with or without a detachable hollow cylinder.



Point Protector

LGH-Series Pullers **MUST** be used with a point protector if the shaft end does not contain a drilled center hole. One point protector is included with every puller.



1. Convenient adjustment handle simplifies positioning of jaws on application and increases speed of operation.
2. Locking mechanism helps prevent jaws from slipping off application during pulling process.
3. Detachable hollow cylinder offers increased pulling capacity compared to mechanical alternatives.
4. Greater spreading width on jaws enables use on thicker objects.
5. Synchronous jaw movement increases ease of use, allowing one operator to mount the tool and perform the pulling application.
6. Point protector helps prevent damage to spindle when pulling against a flat surface.

Hydraulic Lock-Grip Pullers



LGH-Series, Lock-Grip Pullers

LGH-Series pullers provide the same safety and ease of use as their mechanical counterparts, with the pulling force applied by a standard 700 bar hydraulic cylinder.

LGH-Series pullers can apply up to 64 tons of force and are perfect for removing larger shaft-mounted objects up to 660 mm diameter.

Turning the puller handle locks the jaws onto the application, allowing the desired object to be pulled free when the spindle is turned.

LGH Series



Puller Capacity:

10 - 64 ton

Maximum Reach:

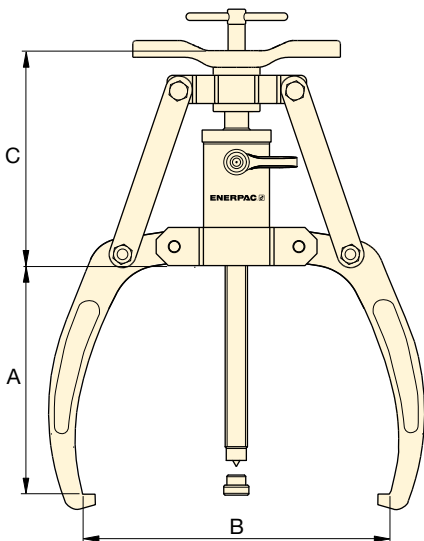
215 - 408 mm

Maximum Spread:

300 - 660 mm

Maximum Operating Pressure:

700 bar



IMPORTANT!

Always wear safety goggles and gloves while using pullers.



Hydraulic Pullers

LGH-Series Hydraulic Pullers include puller and hydraulic cylinder.

Hydraulic Puller Sets

LGHS-Series Hydraulic Pullers Sets include hydraulic puller, pump, gauge and HC7206C hydraulic hose.

Choose pump options below.

▼ SELECTION CHART

Hydraulic Puller Model Nr ¹⁾	Dimensions (mm)				Number of Jaws	Puller Capacity	⚠	Replacement Point Protector Part Number	Hydraulic Puller Sets Model Number				
	Max. Reach	Minimum Spread Diameter	Maximum Spread Diameter										
	A	B	B	C					US ton (kN)	(kg)			
LGH210	215	84	300	192	2	10 (92)	10	SGM0704	–	–	–	–	
LGH310	215	84	300	192	3	10 (92)	13	SGM0704	LGHS310H	LGHS310A	LGHS310EE *	LGHS310CE *	
LGH214	260	125	380	186	2	14 (125)	14	LGH14K6	–	–	–	–	
LGH314	260	125	380	186	3	14 (125)	18	LGH14K6	LGHS314H	LGHS314A	LGHS314EE *	LGHS314CE *	
LGH224	336	165	480	325	2	24 (215)	37	LGH24K6	–	–	–	–	
LGH324	336	165	480	325	3	24 (215)	47	LGH24K6	LGHS324H	LGHS324A	LGHS324EE *	LGHS324CE *	
LGH253	408	230	660	473	2	53 (467)	111	LGH253K6	–	–	–	–	
LGH364	408	230	660	473	3	64 (576)	139	LGH253K6	LGHS364H	LGHS364A	LGHS364EE *	LGHS364CE *	