



SIAT Taping Unit Technology

K-Series Taping Units

DATASHEET

SAFE • SUSTAINABLE • SMART

The SIAT **K-Series Taping Units** are the best-selling in the world, offering excellent results and allowing you to maximize productivity by permitting line speed to be set up to 30 meters per minute (100 fpm) with the best sealing quality.

It is possible to process different types of tape from PVC, PP, to PAPER and on different sizes from 30 to 75 mm. SIAT K-Series Taping Units are engineered and produced in Italy with the highest quality components, and it is also possible to install them on different types of equipment. The ergonomic design, easy to assemble, makes them simply adaptable for retrofit in existing machines, for high-speed packaging lines common in e-commerce and large retail companies. Installing a SIAT K Taping Unit can make a real difference increasing the productivity of each equipment where it is installed.

SIAT offers taping units for all kinds of case sealers and taping machines. K-Series Taping Units by SIAT are known for their durability and for being low maintenance while keeping high levels of productivity and quality.

SIAT Taping Units are also available in stainless steel to guarantee the maximum duration. The characteristic of this material makes it practically suitable for environments where hygiene is very important, such as medical or food and dairies, thanks to the characteristic of the metal of not attracting bacteria.

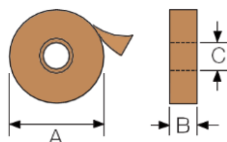
KEY FEATURES

- ✓ **Easy to handle** – ergonomic design
- ✓ **Light** – lightest taping units in the market
- ✓ **Quick tape replacement** – easy threading, allowing an easy removal of the head for tape replacement
- ✓ **Correct tape tension** – friction roller and tape drum for proper tape unwinding
- ✓ **Easy maintenance** – easy access to wear parts, each head come with a manual
- ✓ **Reliable** – Extremely durable even in rough environments
- ✓ **Adjustable working conditions** – adaptable spring position for roller strength variation, to verify the touching area according to the quality of the box
- ✓ **Stable tape drum** – to guarantee a firm presence of the tape inside the drum
- ✓ **CE compliant** - engineered and produced in Italy according to EU safety standards

PROCESSABLE TAPES

Base Material	PVC / OPP / PET / Paper*
Adhesive Type	Solvent / Hot Melt / Acrylic
Special Tape	Filament-Tape** / Safety-Seal-Tape***

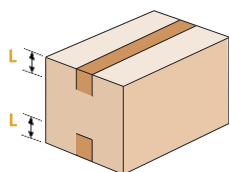
*with limitations **special tape cutting blade required ***need of a test might be necessary



	K11R / K12R
A	Max. 410 mm
B	50 / 75 mm
C	76 mm

TAPE LEG

Tape Leg Dimension L	
K11R / K12R	70 mm
K11R / K12R	50 mm
K11/30 + K12/30	30 mm



K-Series Taping Units

DATASHEET

Taping Head	K12R	K11R	K11/38	K11SB
Tape width [mm] (B)	75 (3")	50 (2")	38 (1 1/2")	30 (1")
Leg [mm] (D)* (+/- 5)	30 / 50 / 70			
Top and bottom head	•	•	•	•
Left and right head	•	•	•	•
Dimensions (closed rollers) LxWxH [mm]	400 x 130 x 480	400 x 130 x 480	400 x 93 x 480	400 x 80 x 440
Dimensions (open rollers) LxWxH [mm]	400 x 130 x 570	400 x 105 x 570	400 x 93 x 480	400 x 80 x 530
Center to center mounting distance [mm]*	278 / 350	278 / 350	278 / 350	278 / 350
Min. box dimensions for 30 mm leg LxWxH [mm]*	100 x 130 x 40	100 x 105 x 40	100 x 95 x 40	100 x 75 x 40
Min. box dimensions for 50 mm leg LxWxH [mm]*	100 x 130 x 60	100 x 105 x 60	100 x 95 x 60	100 x 75 x 60
Min. box dimensions for 70 mm leg LxWxH [mm]*	100 x 130 x 80	100 x 105 x 80	100 x 95 x 80	100 x 75 x 80
Maximum tape reel diameter [mm]	410			
Tape reel inner diameter [mm] ©	76			
Maximum taping speed [m/min] (A)	30			
Weight [kg]	6,6	6,2	5,7	5,3
Type of tape	PVC, PP, PAPER (and REINFORCED but with filament tape kit)			
Available Options	K12R	K11R	K11/38	K11SB
Additional roller for improved taping quality	•	•	•	-
Device that signals the breaking of the tape end (FRN)*	•	•	•	•
Filament tape kit	•	•	•	•
Silent unwinding	-	•	-	-
Stainless steel manufacturing	•	•	-	-
Pneumatic head (different unit dimensions apply)*	•	•	-	-

AVAILABLE OPTIONS

- **Device for the end/broken of the tape** - for machines with logic it is possible to install a disk connected to the photocell that signals the end/broken of the tape
- **Filament tape kit** - to process higher strength filament tapes

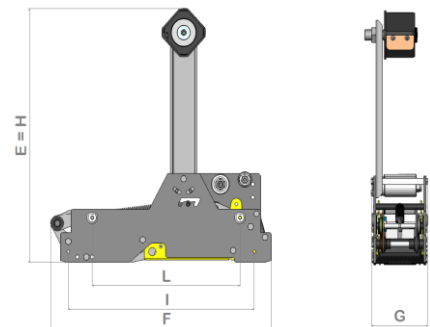
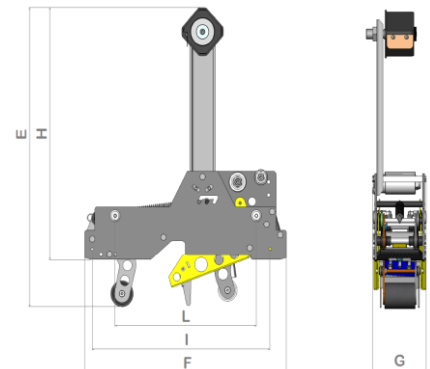
STAINLESS-STEEL VERSION

Some Taping Units are also available in a Stainless-Steel Version. Suitable for corrosive environments, in presence of moisture and high humidity or other particular needs (e.g. food or chemical industry)



NOTES

- 1) Box dimensions and maximum reel diameter may also be limited by the machine on which the head is installed
- 2) Standard taping heads require boxes not to be too full or too empty. In case of mid empty boxes, choose a pneumatic head.
- 3) Low box heights can be achieved through misaligned top and bottom heads positioning
- 4) To exploit the potential of a taping unit with the end/broken tape device, the machine needs to have photocells and logic on board
- 5) When ordering it is necessary to highlight the length of the Leg (see dimension L drawing in first page)
- 6) The spacers, necessary for the housing of the head, must be kept when ordering a new head as a spare



MORE DETAILS

Videos and further information can be found on our website or SIAT YouTube channel.

