



**WACKER
NEUSON**
all it takes!



DW50 Wheel Dumper

Optimized for maximum safety and performance

An optimized skip format for even greater water volume and minimized risk of damage when loading and unloading with the excavator bucket, as well as a variety of details that clearly make it outstanding in terms of comfort and safety, make up the DW50. The operator benefits from many storage options, some also lockable, and safety features such as cameras in both directions, rear LED lights incl. dynamic turn signals as well as cruise control and a large clear display. This makes safe work fun.

Highlights

- Seat belt monitoring
- Sturdy skip guard
- Rear LED lights incl. dynamic turn signals
- Auto-stop function
- Active Sense Control

Technical Data

Hydraulic

Operating pressure hydraulics	3,190.0 psi
Hydraulicpump	ZRP
Flow rate	15.3 gal/mi
Tank capacity	10.6 gal US

Mechanical - Output Details

Travel speed	15.5 m/H
Travel speed (Option)	17.4 m/H

Mechanical Details

Length	173.7 "
Width	75.0 "
Height	110.7 "
Payload	11,023.1 lb
Skip capacity levelled	528.4 gal US
Skip capacity heaped	700.1 gal US
Skip capacity waterlevel	348.7 gal US
Pendulum angle	15.0 °
Operating weight (min.-max.)	7,132.0 - 8,029.2 lb

Engine

Cooling	Water-cooling
Engine type	Turbodieselengine

Cylinder	3.0
Cylinder capacity	134.3 Inch ³
Fuel	HVO EN15940
Tank capacity	15.9 gal US
Effective power	59.7 hp
Nominal Engine speed	2,300.0 1/min
Engine Manufacturer	Deutz
Engine Designation	TD 2.2 L3

Environment Data

Sound power LWA, guaranteed	101.0 dB(A)
-----------------------------	-------------

Chassis

Turning radius	168.5 "
Articulation angle	37.0 °
Traction drive	4WD hydrostatic
Hydraulik Pump	Axialpistonpump
Operating pressure	6,815.0 psi
Flow rate	32.5 gal/mi
Tires	12.5-18/16 MPT-01

Shipping and Storage

Shipping weight	6,847.6 lb
-----------------	------------

Available engines

55,4 kW Diesel engine (Stage 5)

Cylinder capacity	178.5 Inch ³
Effective power	74.3 hp
Stroke	4.3 "
Bore	3.6 "
Cooling	Water-cooling
Engine type	Turbodieselengine air cooling
Cylinder	4
Engine Manufacturer	Deutz
Engine Designation	TD2.9 L4

44,5 kW Diesel engine (Stage 5)

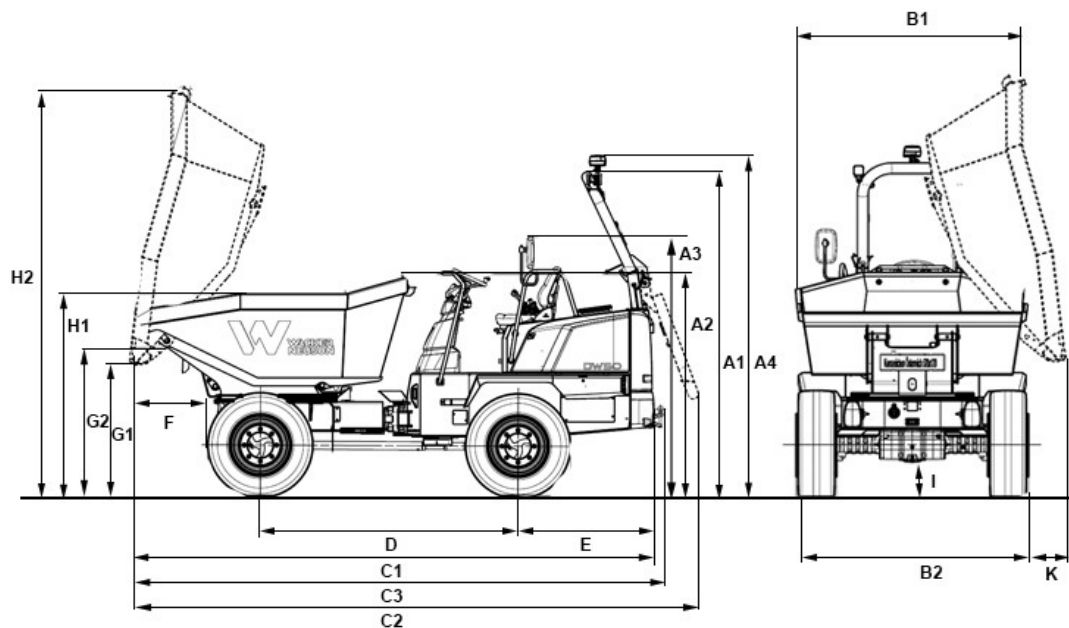
Cylinder capacity	134.3 Inch ³
Effective power	59.7 hp
Cooling	Water-cooling
Engine type	Turbodieselengine
Cylinder	4
Engine Manufacturer	Deutz
Engine Designation	TD 2.2 L3



ETOP
creat să reziste

Republica Moldova, MD-2023
mun. Chișinău, str. Uzinelor 90
+ /373/ 67 707 707
office@etop.md
www.etop.md

Dimensions



A1	Height ROPS	110.75 in
A2	Height of ROPS tilted	77.72 in
A3	Height above operator's stand	86.18 in
A4	Height ROPS with rotating beacon	115.12 in
B2	Width of vehicle	75.83 in
B1	Width of skip	75.83 in
C1	Total length ROPS	173.70 in
C2	Total length ROPS tilted	188.58 in
C3	Total length with towing device	177.09 in
D	Wheel base	86.22 in
E	Rear overhang	45.55 in
F	Dumping width	22.44 in
G1	Dumping height max.	44.92 in
G2	Load-over height	50.83 in
H1	Skip height	68.78 in
H2	Skip height tilted	138.15 in
I	Ground clearance	12.28 in
	Dumping angle	48 °
K	Dumping width lateral	12.44 in



ETOP
creat să reziste

Republica Moldova, MD-2023
mun. Chișinău, str. Uzinelor 90
+ /373/ 67 707 707
office@etop.md
www.etop.md