



**WACKER
NEUSON**
all it takes!



DV90

Dual View Dumper

Rotation for safety.

More legroom and the exit option in both seating directions enable even safer and more efficient application of the machine. Up to 9 tons of payload not only offers plenty of materials handling per trip, but is also optionally supported by a power engine, which noticeably increases the tractive force and power. Additional safety features complete the power: Hill-hold function, seat belt monitoring and many other highlights think before anything can even happen.

Highlights

- Swiveling operator's seat with plenty of legroom
- Seat belt monitoring with start release
- Fold-down armrest for entry and exit from both sides
- Power version
- Active Sense Control

Technical Data

Hydraulic

Operating pressure hydraulics	3,480.0 psi
Hydraulic pump	ZRP
Flow rate	19.3 gal/mi
Tank capacity	12.7 gal US

Mechanical - Output Details

Nominal rotation speed	2,300.0 1/min
Travel speed	15.5 m/H

Mechanical Details

Length	182.0 "
Width	95.3 "
Height	137.1 "
Payload	19,841.6 lb
Skip	Front tip skip
Skip capacity levelled	990.7 gal US
Skip capacity heaped	1,215.2 gal US
Skip capacity waterlevel	634.0 gal US
Pendulum angle	11.0 °
Operating weight (min.-max.)	10,696.8 - 11,245.8 lb

Engine

Cooling	Water-cooling
---------	---------------

Engine type	Diesel engine
Cylinder	4.0
Cylinder capacity	178.4 Inch3
Fuel	HVO EN15940
Tank capacity	15.9 gal US
Effective power	74.3 hp
Nominal Engine speed	2,300.0 1/min
Maximum torque	192.6 lb/ft
Engine speed (max. torque)	1,600.0 1/min
Exhaust-gas limit	EU Stage V
Engine Manufacturer	Deutz
Engine Designation	TD2.9 L4

Environment Data

Sound power LWA, guaranteed	101.0 dB(A)
-----------------------------	-------------

Chassis

Turning radius	260.6 "
Articulation angle	28.0 °
Hydraulic Pump	Axialpistonpump
Flow rate	32.5 gal/mi

Shipping and Storage

Shipping weight	10,020.0 lb
-----------------	-------------

Available engines

100 kW Turbo diesel engine (Stage 5)

Effective power	134.1 hp
Engine type	Diesel engine
Engine Manufacturer	Deutz
Engine Designation	TCD3.6 L4

55,4 kW Diesel engine (Stage 5)

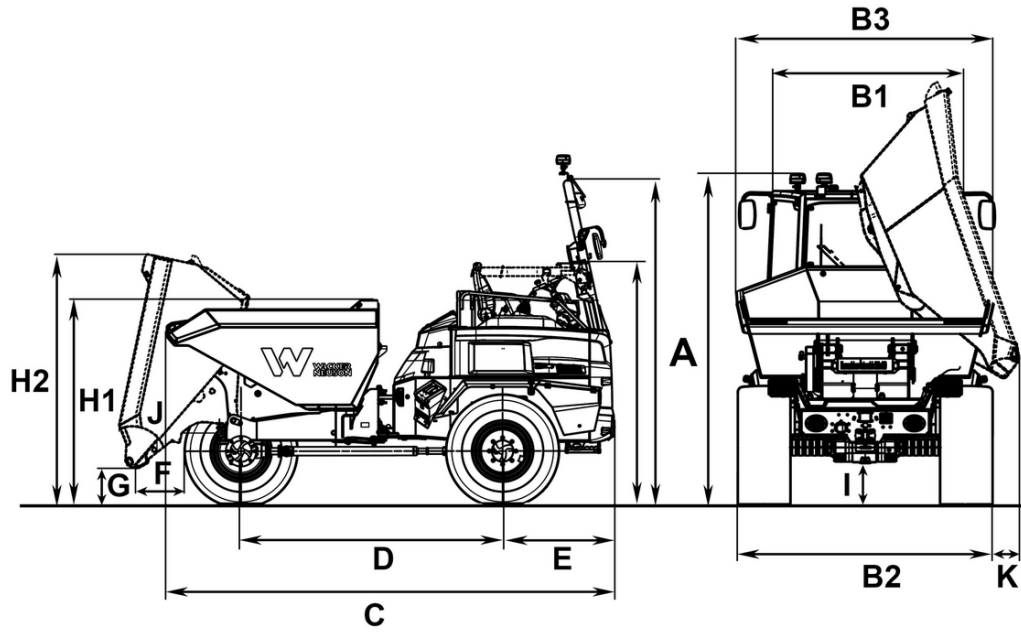
Cylinder capacity	178.4 Inch ³
Power rating max.	74.3 hp
Cooling	Water-cooling
Engine type	Diesel engine
Engine operating mode	four-stroke
Cylinder	4
Engine Manufacturer	Deutz
Engine Designation	TCD 2,9 L4
Alternator	12V DC - 95A



ETOP
creat să reziste

Republica Moldova, MD-2023
mun. Chișinău, str. Uzinelor 90
+ /373/ 67 707 707
office@etop.md
www.etop.md

Dimensions



A	Height ROPS	137.1 in
	Height ROPS with rotating beacon	141.5 in
A	Height of ROPS tilted	97.4 in
	Height with cab	117 in
A	Height of cab with rotating beacon	123.6 in
B1	Width of cab	64.1 in
B2	Width of vehicle	95.3 in
B3	Width of skip	97.9 in
D	Wheel base	106.3 in
E	Rear overhang	45.6 in
F	Dumping width	26.5 in
G	Dumping height max.	14.4 in
H1	Skip height	82.6 in
H2	Skip height tilted	101.3 in
I	Ground clearance	15.4 in
J	Dumping angle	49 in



ETOP
creat să reziste

Republica Moldova, MD-2023
mun. Chișinău, str. Uzinelor 90
+ /373/ 67 707 707
office@etop.md
www.etop.md