



## WL95

### Wheel Loader

Work comfortably and safer

The WL95 wheel loader offers the operator maximum working comfort: a large and comfortable cab, a multi-function joystick and simple hydraulic oil volume adjustment via jog dial. The roominess and overall layout of the cab, as well as the ergonomically arranged operating controls, allow for safer and fatigue-free work. The machine is equipped with the variable hydrostatic transmission ecospeed Pro, which is just as compact and energy-efficient as traditional drive systems, but achieves significantly higher tractive forces and travel speeds. The WL95 accelerates variably and evenly with ecospeed Pro and up to 40 km/h without interruptions in tractive force.

### Highlights

- Eco Speed Pro: continuously variable hydrostatic transmission
- {30/40 km/h}{18.64/24.85 mph} speed
- Automatic air-conditioning system
- Clear 7-inch digital display
- Joystick console spring-mounted on the operator's seat

### Technical Data

#### Standard engine data

Engine manufacturer	Deutz
Motor type	TCD 3.6 S5
Cylinder	4
Drive output	100 kW
Drive output	136 PS
at max. rpm	2,300 U/min
Cylinder capacity	3,621 cm <sup>3</sup>
Type of coolant	Water/charge air
Exhaust standard level	V
Exhaust aftertreatment	DOC/DPF/SCR

#### Engine data Option 1

Engine manufacturer	Deutz
Motor type	TCD 4.1 S5
Cylinder	4
Drive output	115 kW
Drive output	156 PS
at max. rpm	2,300 U/min
Cylinder capacity	4,038 cm <sup>3</sup>
Type of coolant	Water/charge air

Exhaust standard level	V
Exhaust aftertreatment	DOC/DPF/SCR

#### Electrical system

Operating voltage	12 V
Battery	185 Ah
Alternator	120 A

#### Weights

Bucket capacity (standard bucket)	1.55 m <sup>3</sup>
Operating weight	10,390 kg
Tipping load with bucket – machine straight, loading frame horizontal	6,529 kg
Tipping load with bucket – machine pivoted, loading frame horizontal	5,748 kg
Tipping load with pallet fork – machine straight, loading frame horizontal	5,371 kg
Tipping load with pallet fork – machine pivoted, loading frame horizontal	4,728 kg

#### Driver's cab

Driver's cab	Cab
--------------	-----

#### Filling levels

Tank capacity for fuel	140 l
------------------------	-------

Tank capacity for hydraulic oil	125 l
Tank capacity for urea solution	12 l

### ■ Drive system

Type of drive	Hydrostatic
drive unit	universal joint shaft
Speed levels	3
Axle	PA 1900
Travel speed Standard	0-20 km/h
Travel speed Option 1	0-30 km/h
Travel speed Option 2	0-40 km/h
Operating brake	Multi-disc brake on front axle acting on rear axle via universal joint shaft
Parking brake	Electro-hydraulic multi-disc brakes with spring suspension in the front axle acting on rear axle via articulated universal joint shaft
Differential lock	100 % front axle + rear axle

### ■ Hydraulic system

Drive hydraulics working pressure (max.)	480 bar
Work hydraulics discharge volume (max.)	150 (180) l/min

Work hydraulics working pressure (max.)	250 bar
---	---------

### ■ Kinematics

Kinematics type	Z
Lifting cylinder	2
Tipping cylinder	1
Quick change system	hydraulic

### ■ Steering

Steering type	Hydraulic articulated steering with oscillating axle
Steering cylinder	2
Oscillating angle of the rear axle	± 12 degree

### ■ Noise characteristic values

Average sound power level LwA (cabin)	100.7 dB(A)
Guaranteed sound power level LwA (cabin)	102 dB(A)
Specified sound pressure level LpA (cabin)	70 dB(A)

### ■ Other information

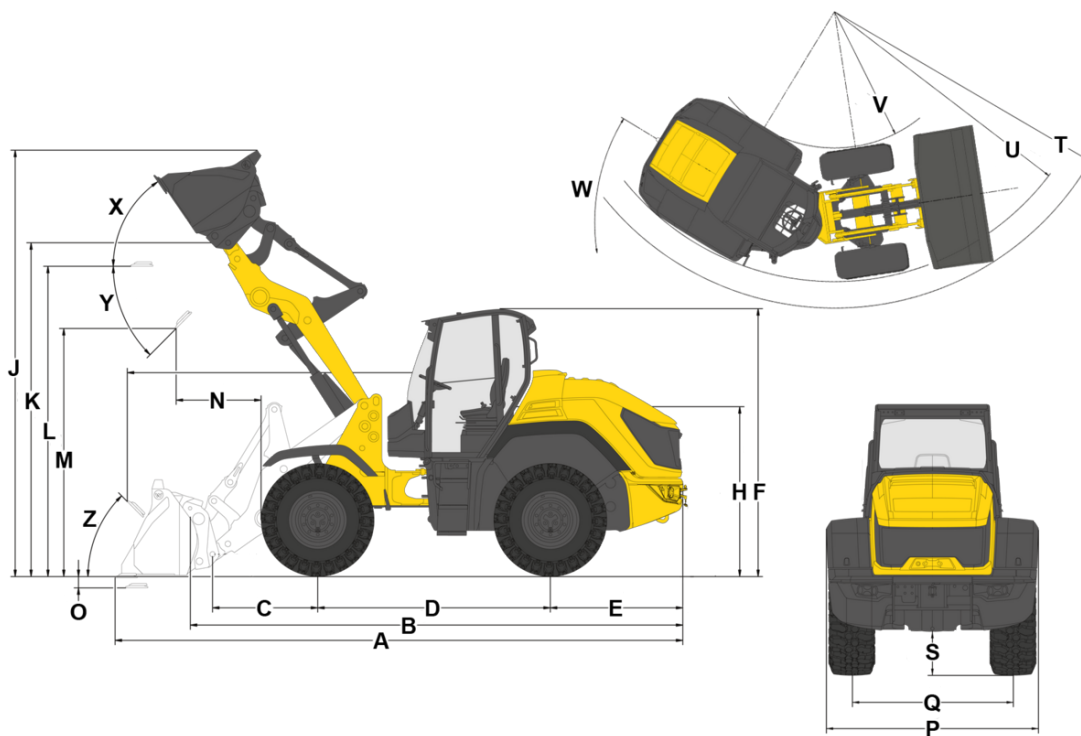
FSD = overhead guard  
 DPF = diesel particulate filter  
 DOC = diesel oxidation catalyst  
 SCR = selective catalytic reduction  
 Tipping load calculation pursuant to ISO 14397



**ETOP**  
 creat să reziste

Republica Moldova, MD-2023  
 mun. Chişinău, str. Uzinelor 90  
 + /373/ 67 707 707  
 office@etop.md  
 www.etop.md

## Dimensions



A	Total length	6,470 mm
B	Total length without bucket	5,610 mm
C	Bucket pivot point (to center of axle)	1,200 mm
D	Wheel base	2,660 mm
E	Rear overhang	1,520 mm
F	Height with cab	3,060 mm
H	Seat height	1,940 mm
J	Total working height	4,780 mm
K	Bucket pivot point (max. lift height)	3,820 mm
L	Load-over height	3,550 mm
M	Dumping height	2,860 mm
N	Reach (at M)	970 mm
O	Digging depth	136 mm
P	Total width	2,390 mm
Q	Track width	1,820 mm
S	Ground clearance	500 mm
T	Maximum external radius	5,370 mm
U	Radius on the outer edge	4,900 mm
V	Inner radius	2,450 mm
W	Articulation angle	40 °
X	Rollback angle at max. lift height	61 °
Y	Dumping angle	45 °
Z	Rollback angle on ground	45 °



**ETOP**  
creat să reziste

Republica Moldova, MD-2023  
mun. Chișinău, str. Uzinelor 90  
+ /373/ 67 707 707  
office@etop.md  
www.etop.md