



**WACKER
NEUSON**
all it takes!



803

Tracked conventional excavator

the smallest that can also be emission-free

The 803 is the smallest Wacker Neuson excavator - but leaves absolutely nothing to be desired in terms of performance. Its narrow width of only 700 mm allows it to fit perfectly through interior doors, while its rubber tracks protect the flooring. Somit passt er perfekt durch Innentüren und schont aufgrund seiner Gummiketten den Bodenbelag. Special attention was paid to the hydraulic performance. Attachments, such as the tuned Wacker Neuson hydraulic breaker, can be operated without any problems using the standard auxiliary hydraulics. With the optional electro-hydraulic unit (HPU), the mini-excavator is ideal for emission-sensitive job sites and can be operated with the same output electrically, with no fumes

Highlights

- Folding ROPS safety bar
- Standard one-way auxiliary hydraulics
- Highest engine power in its class
- Hydraulic telescopic chassis with dozer blade extension
- Easy transportation by car trailer

Technical Data

Hydraulic

Operating pressure hydraulics 170.0 bar

Mechanical - Output Details

Travel speed 1.8 km/h

Mechanical Details

Width 700.0 mm

Height 2,261.0 mm

Operating weight (min.-max.) 1,029.0 - 1,115.0 kg

Digging depth (max.) 1,766.0 mm

Engine

Fuel HVO EN15940

Tank capacity 7.0 l

Environment Data

Sound level LpA 77.0 dB(A)

Sound level LpA (Standard) ISO 6396

Sound power LWA, measured 91.3 dB(A)

Sound power LWA, guaranteed 93.0 dB(A)

Operating Fluids

Oil specification SAE 10W-40

Oil volume 2.500 l

Cooling fluid volume 2.9 l

Hydraulic fluid volume 13.8 l

Shipping and Storage

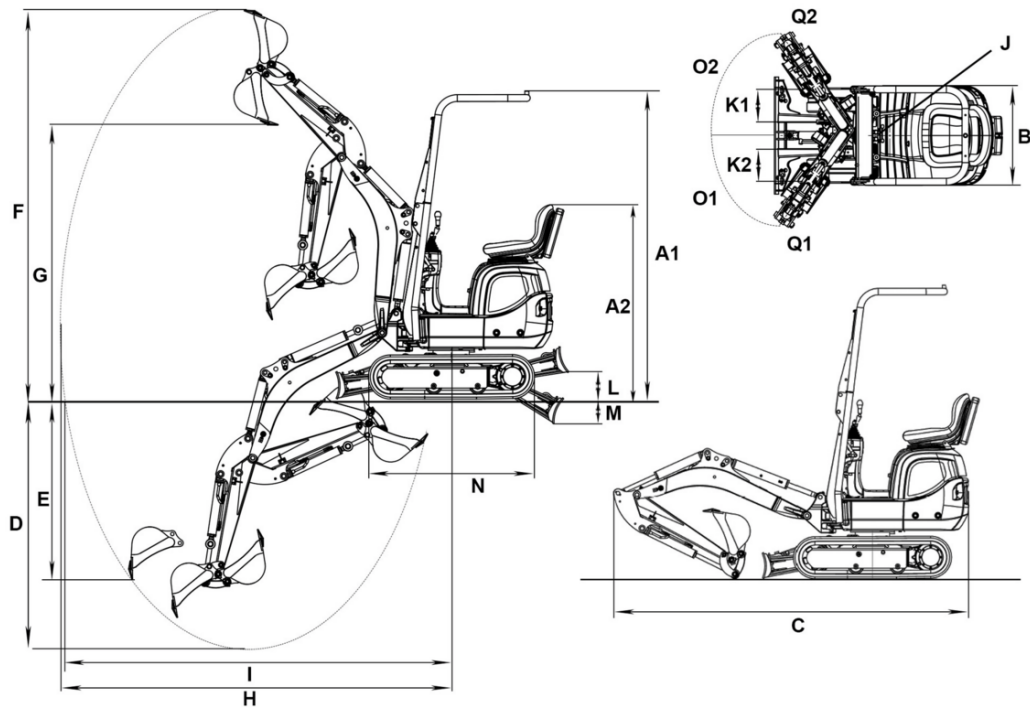
Shipping weight 932.0 kg



ETOP
creat să reziste

Republica Moldova, MD-2023
mun. Chișinău, str. Uzinelor 90
+ /373/ 67 707 707
office@etop.md
www.etop.md

Dimensions



A1	Height ROPS	2,261 mm
A2	Height of ROPS tilted	1,427 mm
B	Width of upper carriage	730 mm
	Width travel gear	860 mm
B	Width travel gear retracted	700 mm
C	Transport length	2,828 mm
D	Digging depth max.	1,763 mm
E	Piercing depth max.	1,320 mm
F	Piercing height max.	2,857 mm
G	Dumping height max.	2,012 mm
H	Digging radius max.	3,090 mm
I	Max. reach at ground level	3,028 mm
J	Tail swing radius	747 mm
K1	Boom offset max. (to center of bucket right side)	245 mm
K2	Boom offset max. (to center of bucket left side)	283 mm
M	Digging depth max. (dozer blade below surface)	178 mm
N	Length travel drive	1,220 mm
O1	Max. swivel angle (arm system to the left)	55 °
O2	Max. swivel angle (arm system to the right)	56 °
Q2	Boom swing radius right	1,085 mm
Q1	Boom swing radius left	1,039 mm



ETOP
creat să reziste

Republica Moldova, MD-2023
mun. Chișinău, str. Uzinelor 90
+ /373/ 67 707 707
office@etop.md
www.etop.md