



**WACKER
NEUSON**
all it takes!



DT10

Track Dumper

The professional machine

The hydrostatic drive system allows for quick and convenient operation and the single-piece engine hood, as well as the optimal arrangement of the service points, make daily maintenance much easier. The rubber tracks and the excellent weight distribution reduce the ground pressure, ensuring more extensive application uses. The variety of skip versions make it a very versatile machine.

Highlights

- Hydrostatic drive
- Small dimensions
- Hanging suspension-mounted rollers

Technical Data

Hydraulic

Hydraulic pump	Variable displacement and gear pump
Flow rate max.	66.0 l/min

Mechanical - Output Details

Travel speed	4.0 km/h
--------------	----------

Mechanical Details

Length	1,800.0 mm
Width	790.0 mm
Height	1,365.0 mm
Weight	680.00 kg
Payload max.	1,000.0 kg
Skip capacity heaped	427.0 l
Operating weight (min.-max.)	665.0 - 915.0 kg

Engine

Cooling	Water-cooling
Engine type	Diesel engine

Cylinder	2.0
Cylinder capacity	479.0 cm ³
Inclined position max.	20.0 °
Effective power	9.6 KW
Nominal Engine speed	3,600.0 1/min
Engine Manufacturer	Kubota
Engine Designation	Z-482
Stroke	68.0 mm
Bore	67.0 mm

Environment Data

Sound level LpA	88.0 dB(A)
Sound level LpA (Standard)	ISO 6396
Sound power LWA, guaranteed	101.0 dB(A)
Sound power LWA (Standard)	ISO 6395

Shipping and Storage

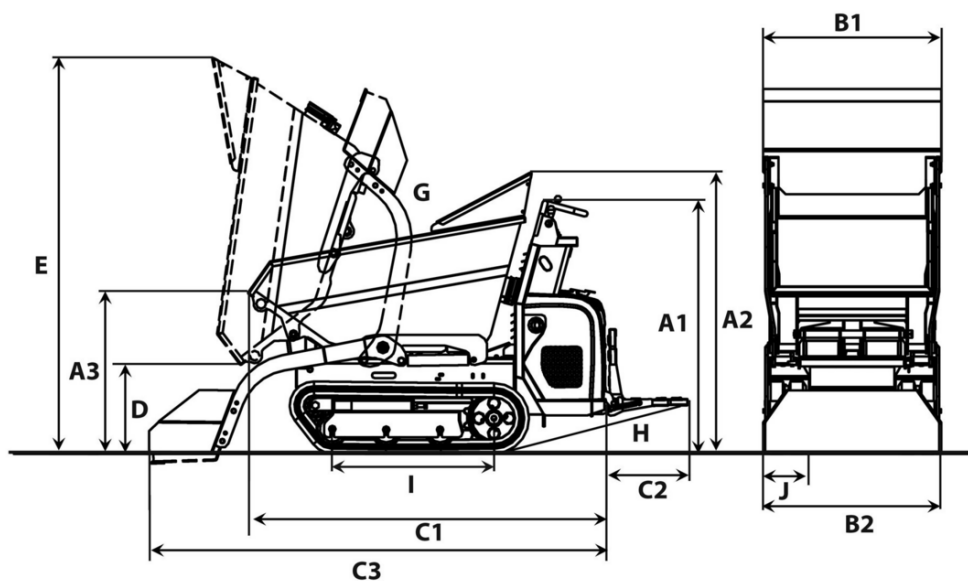
Shipping weight	590.0 kg
-----------------	----------



ETOP
creat să reziste

Republica Moldova, MD-2023
mun. Chișinău, str. Uzinelor 90
+ /373/ 67 707 707
office@etop.md
www.etop.md

Dimensions



		Front tip skip	High tip skip	Swivel tip skip	Front tip skip	Light goods skip
A1	Height above operator's stand	1,280 mm	1,280 mm	1,280 mm	1,280 mm	1,280 mm
A2	Height over skip hand guard	1,365 mm		1,301 mm		
A3	Height front edge of skip	812 mm	1,111 mm	1,045 mm	849 mm	812 mm
	Height front edge of high tip skip raised		1,688 mm			
B1	Width of skip	790 mm	764 mm	730 mm	806 mm	830 mm
B2	Width of undercarriage	790 mm	790 mm	790 mm	790 mm	790 mm
B7	Width with self-loading equipment	830 mm	830 mm			830 mm
C1	Total length without footboard	1,800 mm	1,684 mm	1,960 mm	1,882 mm	1,823 mm
C2	Length footboard	393 mm	393 mm	393 mm	393 mm	393 mm
C3	Length with self-loading equipment, without footboard	2,267 mm	2,240 mm			2,277 mm
D	Dumping height max.	474 mm	868 mm	650 mm	256 mm	460 mm
	Dumping height max., high tip skip raised		1,414 mm			
E	Skip height tilted	1,905 mm	2,009 mm	2,112 mm	1,430 mm	1,950 mm
	Skip height tilted, high tip skip raised		2,700 mm			
G	Dumping angle	70 °	82 °	85 °	56 °	70 °
H	Rollback angle footboard	14 °	14 °	14 °	14 °	14 °
I	Length chain stand	875 mm	875 mm	875 mm	875 mm	875 mm
K	Dumping width lateral			487 mm		



ETOP
creat să reziste

Republica Moldova, MD-2023
mun. Chișinău, str. Uzinelor 90
+ /373/ 67 707 707
office@etop.md
www.etop.md