



**WACKER
NEUSON**
all it takes!



DV90

Dual View Dumper

Rotation for safety.

More legroom and the exit option in both seating directions enable even safer and more efficient application of the machine. Up to 9 tons of payload not only offers plenty of materials handling per trip, but is also optionally supported by a power engine, which noticeably increases the tractive force and power. Additional safety features complete the power: Hill-hold function, seat belt monitoring and many other highlights think before anything can even happen.

Highlights

- Swiveling operator's seat with plenty of legroom
- Seat belt monitoring with start release
- Fold-down armrest for entry and exit from both sides
- Power version
- Active Sense Control

Technical Data

Hydraulic

Operating pressure hydraulics	240.0 bar
Hydraulic pump	ZRP
Flow rate	73.0 l/min
Tank capacity	48.0 l

Mechanical - Output Details

Nominal rotation speed	2,300.0 1/min
Travel speed	25.0 km/h

Mechanical Details

Length	4,622.0 mm
Width	2,420.0 mm
Height	3,483.0 mm
Payload	9,000.0 kg
Skip	Front tip skip
Skip capacity levelled	3,750.0 l
Skip capacity heaped	4,600.0 l
Skip capacity waterlevel	2,400.0 l
Pendulum angle	11.0 °
Operating weight (min.-max.)	4,852.0 - 5,101.0 kg

Engine

Cooling	Water-cooling
---------	---------------

Engine type	Diesel engine
Cylinder	4.0
Cylinder capacity	2,924.0 cm ³
Fuel	HVO EN15940
Tank capacity	60.0 l
Effective power	55.4 KW
Nominal Engine speed	2,300.0 1/min
Maximum torque	260.0 Nm
Engine speed (max. torque)	1,600.0 1/min
Exhaust-gas limit	EU Stage V
Engine Manufacturer	Deutz
Engine Designation	TD2.9 L4

Environment Data

Sound power LWA, guaranteed	101.0 dB(A)
-----------------------------	-------------

Chassis

Turning radius	6,620.0 mm
Articulation angle	28.0 °
Hydraulic Pump	Axialpistonpump
Flow rate	123.0 l/min

Shipping and Storage

Shipping weight	4,545.0 kg
-----------------	------------

Available engines

■ 100 kW Turbo diesel engine (Stage 5)

Engine type	Diesel engine
Effective power	100 KW
Nominal Engine speed	2,300 1/min
Starter battery Voltage	12 V
Engine Manufacturer	Deutz
Engine Designation	TCD3.6 L4

■ 55,4 kW Diesel engine (Stage 5)

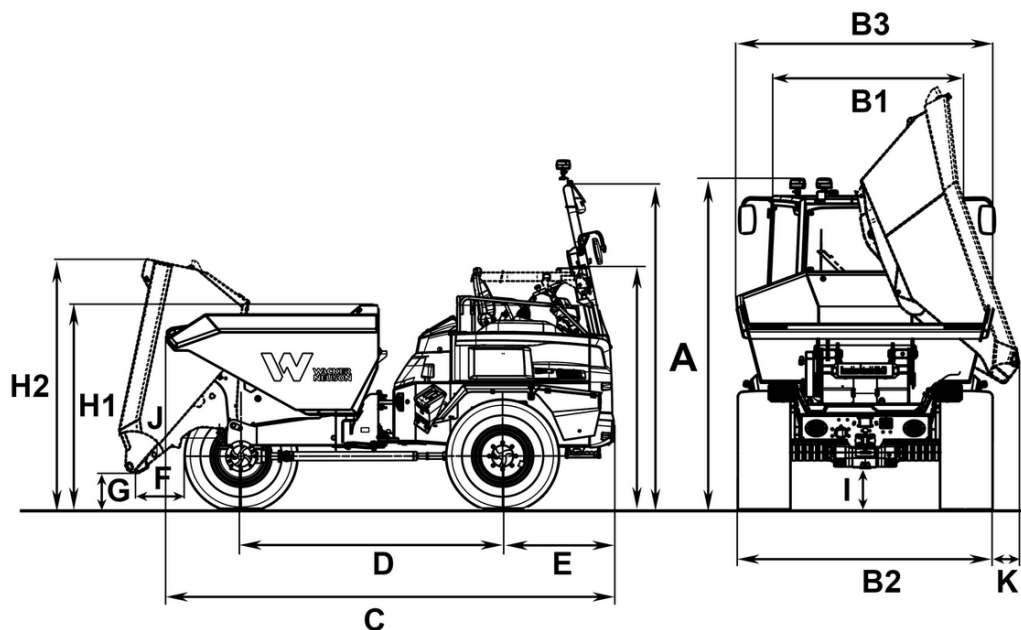
Cooling	Water-cooling
Engine type	Diesel engine
Engine operating mode	four-stroke
Cylinder	4
Cylinder capacity	2,924 cm3
Power rating max.	55.4 KW
Engine speed (Power max.)	2,300 1/min
Engine Manufacturer	Deutz
Engine Designation	TCD 2,9 L4
Alternator	12V DC - 95A



ETOP
creat să reziste

Republica Moldova, MD-2023
mun. Chișinău, str. Uzinelor 90
+ /373/ 67 707 707
office@etop.md
www.etop.md

Dimensions



		Front tip skip	Swivel tip skip
A	Height ROPS	3,483 mm	3,483 mm
	Height ROPS with rotating beacon	3,593 mm	3,593 mm
A	Height of ROPS tilted	2,473 mm	2,473 mm
	Height with cab	2,974 mm	2,974 mm
A	Height of cab with rotating beacon	3,139 mm	3,139 mm
B1	Width of cab	1,629 mm	1,629 mm
B2	Width of vehicle	2,420 mm	2,420 mm
B3	Width of skip	2,486 mm	2,453 mm
C	Total length ROPS	4,622 mm	4,891 mm
	Total length of cab	4,622 mm	4,891 mm
D	Wheel base	2,700 mm	2,700 mm
E	Rear overhang	1,157 mm	1,157 mm
F	Dumping width	674 mm	553 mm
G	Dumping height max.	365 mm	1,202 mm
H1	Skip height	2,099 mm	2,290 mm
H2	Skip height tilted	2,573 mm	4,010 mm
I	Ground clearance	390 mm	390 mm
J	Dumping angle	49 mm	40 mm
K	Dumping width lateral		249 mm



ETOP
creat să reziste

Republica Moldova, MD-2023
mun. Chișinău, str. Uzinelor 90
+ /373/ 67 707 707
office@etop.md
www.etop.md