



**WACKER  
NEUSON**  
*all it takes!*



## DV60

### Dual View Dumper

#### Power for more safety

More space for the legs and an exit option on both sides allow the DV60 to be used even more safely, with a payload of up to 6 tons. In the power version now with extra power under the hood. The hill-hold function and seat belt monitoring with optional start release take the safety of the machine to a new maximum and already think for the operator before it is too late. Many additional comfort features in the basic machine or as an option additionally ensure the comfort factor for the operator.

## Highlights

- Swivel seat with legroom and flexible exit
- Seat belt monitoring with start release
- Power version
- Active Sense Control
- Skip changing system

## Technical Data

### Hydraulic

Operating pressure hydraulics	240.0 bar
Flow rate	73.0 l/min
Tank capacity	48.0 l

### Mechanical - Output Details

Nominal rotation speed	2,300.0 1/min
Travel speed	25.0 km/h

### Mechanical Details

Length	4,441.0 mm
Width	2,328.0 mm
Height	3,435.0 mm
Payload	6,000.0 kg
Skip	Front tip skip
Skip capacity levelled	2,700.0 l
Skip capacity heaped	3,500.0 l
Skip capacity waterlevel	1,900.0 l
Pendulum angle	11.0 °
Operating weight (min.-max.)	4,220.0 - 4,549.0 kg

### Engine

Cooling	Water-cooling
---------	---------------

Engine type	Diesel engine
Cylinder	4.0
Cylinder capacity	2,924.0 cm <sup>3</sup>
Fuel	HVO EN15940
Tank capacity	60.0 l
Effective power	55.4 KW
Nominal Engine speed	1,850.0 1/min
Exhaust-gas limit	EU Stage V
Engine Manufacturer	Deutz
Engine Designation	TD2.9 L4

### Environment Data

Sound power LWA, guaranteed	101.0 dB(A)
-----------------------------	-------------

### Chassis

Turning radius	6,110.0 mm
Articulation angle	29.0 °
Hydraulik Pump	Axialpistonpump
Flow rate	123.0 l/min
Tires	405/70-20

## Available engines

### ■ 100 kW Turbo diesel engine (Stage 5)

Engine type	Diesel engine
Effective power	100 KW
Nominal Engine speed	2,300 1/min
Starter battery Voltage	12 V
Engine Manufacturer	Deutz
Engine Designation	TCD3.6 L4

### ■ 55,4 kW Diesel engine (Stage 5)

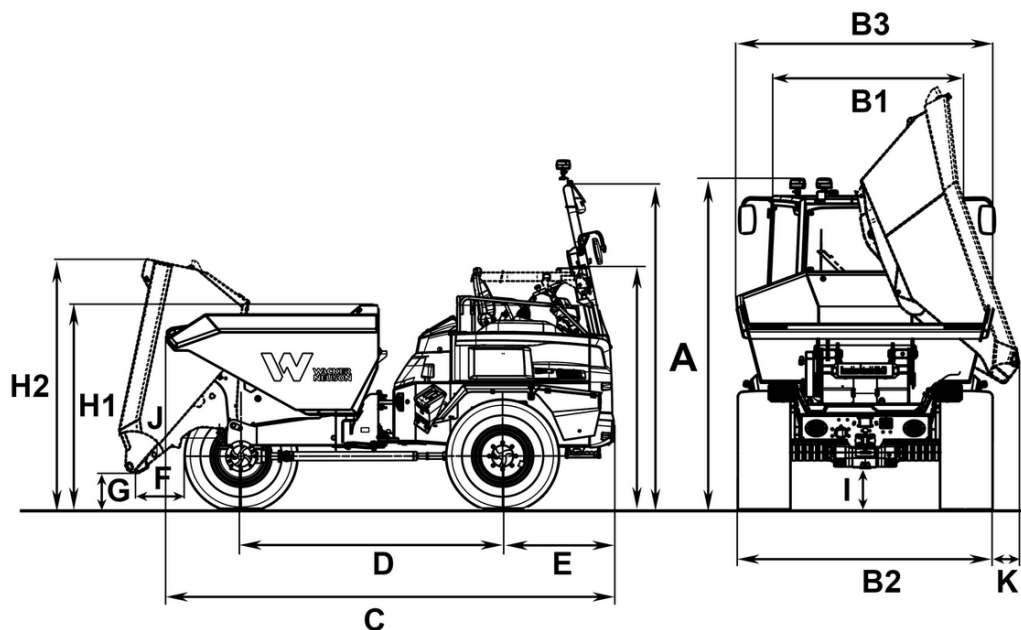
Cooling	Water-cooling
Engine type	Diesel engine
Engine operating mode	four-stroke
Cylinder	4
Cylinder capacity	2,924 cm3
Power rating max.	55.4 KW
Engine speed (Power max.)	2,300 1/min
Engine Manufacturer	Deutz
Engine Designation	TCD 2,9 L4
Alternator	12V DC - 95A



**ETOP**  
creat să reziste

Republica Moldova, MD-2023  
mun. Chișinău, str. Uzinelor 90  
+ /373/ 67 707 707  
office@etop.md  
www.etop.md

## Dimensions



		Front tip skip	Swivel tip skip	
A	Height ROPS	3,435 mm	3,435 mm	
	Height ROPS with rotating beacon	3,545 mm	3,545 mm	
A	Height of ROPS tilted	2,425 mm	2,425 mm	
	Height with cab	2,926 mm	2,926 mm	2,926 mm
A	Height of cab with rotating beacon	3,091 mm	3,091 mm	3,091 mm
B1	Width of cab	1,629 mm	1,629 mm	1,629 mm
B2	Width of vehicle	2,196 mm	2,196 mm	2,196 mm
B3	Width of skip	2,328 mm	2,217 mm	2,514 mm
C	Total length ROPS	4,448 mm	4,699 mm	
	Total length of cab	4,448 mm	4,700 mm	4,654 mm
D	Wheel base	2,485 mm	2,485 mm	2,635 mm
E	Rear overhang	1,157 mm	1,157 mm	1,157 mm
F	Dumping width	581 mm	599 mm	615 mm
G	Dumping height max.	368 mm	1,092 mm	1,012 mm
H1	Skip height	2,033 mm	2,002 mm	1,582 mm
H2	Skip height tilted	2,402 mm	3,631 mm	2,806 mm
I	Ground clearance	362 mm	362 mm	364 mm
J	Dumping angle	50 °	48 °	46 °
K	Dumping width lateral		245 mm	157 mm



**ETOP**  
creat să reziste

Republica Moldova, MD-2023  
mun. Chișinău, str. Uzinelor 90  
+ /373/ 67 707 707  
office@etop.md  
www.etop.md