



**WACKER  
NEUSON**  
*all it takes!*



## EW100

### Wheeled Excavator

Innovative thinking - the future of wheeled excavators

The EW100 sets new standards in terms of performance, safety and comfort, considerably ahead of just about every other wheeled excavator in a drag race. The collaboration of attachment management and assistance systems with an optimized field of vision around the machine could not be better adapted to everyday construction site work. And it is possible to operate every attachment without downtimes with twice as much auxiliary hydraulics power.

### Highlights

- Very good all-round visibility
- Topmost performance in all areas
- Human Machine Interface
- Trailer operation
- Attachments interface

### Technical Data

#### Hydraulic

Operating pressure hydraulics	300.0 bar
Flow rate	180.0 l/min

#### Mechanical - Output Details

Nominal rotation speed	1,900.0 1/min
Travel speed	30.0 km/h
Travel speed (Option)	40.0 km/h

#### Mechanical Details

Length	6,707.0 mm
Width	2,450.0 mm
Height	2,980.0 mm
Operating weight	10,320.0 kg
Operating weight (min.-max.)	10,625.0 - 11,855.0 kg
Digging depth (max.)	4,968.0 mm

#### Engine

Cooling	Water-cooling
Engine type	Turbodieselengine
Cylinder	4.0
Cylinder capacity	2,799.0 cm <sup>3</sup>

Inclined position max.	30.0 °
Fuel	HVO EN15940
Effective power	55.4 KW
Nominal Engine speed	1,900.0 1/min
Maximum torque	300.0 Nm
Air cleaner	Dry air filter
Starter battery Voltage	12.0 V
Engine Manufacturer	Perkins
Engine Designation	904J-E28T
Stroke	110.0 mm
Bore	80.0 mm

#### Environment Data

Sound power LWA, guaranteed	98.0 dB(A)
Exhaust gas limit values	EU Stage V

#### Chassis

Operating pressure	440.0 bar
Flow rate	180.0 l/min

#### Shipping and Storage

Shipping weight	10,320.0 kg
-----------------	-------------

## Available engines

### ■ 100 kW Diesel engine (Stage 5)

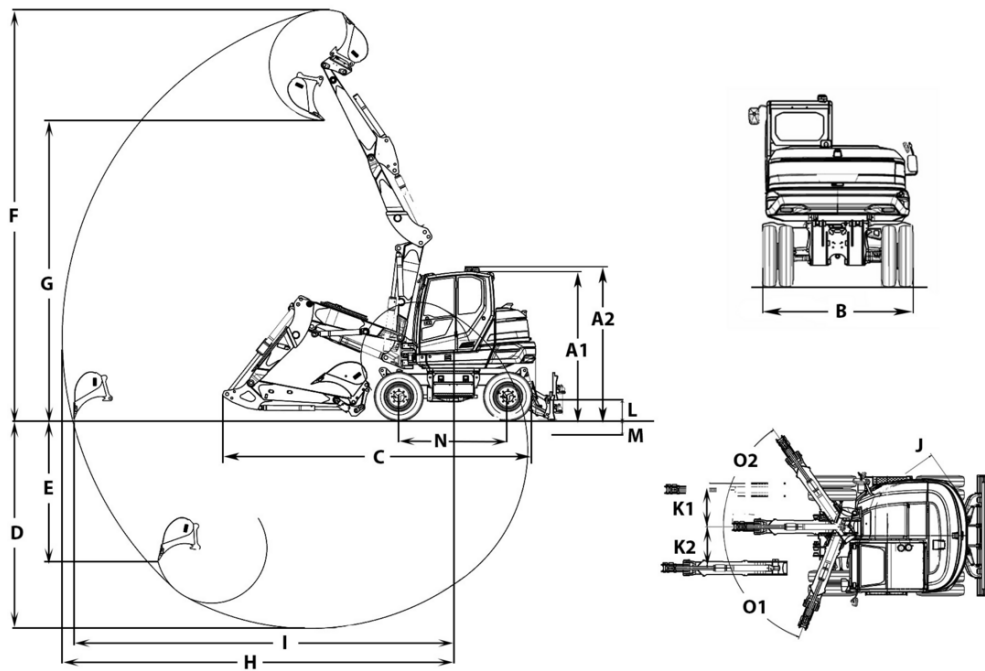
Cooling	Water-cooling
Engine type	Diesel engine
Cylinder	4
Cylinder capacity	3,621 cm <sup>3</sup>
Effective power	100 kW
Nominal Engine speed	1,900 1/min
Exhaust-gas limit	EU Stage V
Engine Manufacturer	Perkins
Engine Designation	904J-E36TA
Stroke	120 mlai
Bore	98 mlai



**ETOP**  
creat să reziste

Republica Moldova, MD-2023  
mun. Chișinău, str. Uzinelor 90  
+ /373/ 67 707 707  
office@etop.md  
www.etop.md

## Dimensions



		Ballon tires	Twin tires with intermediate ring	Twin tires without intermediate ring
A1	Height with cab	2,963 mm	2,980 mm	2,971 mm
	Height of dozer blade	495 mm	495 mm	495 mm
A2	Total height with rotating beacon	3,057 mm	3,074 mm	3,065 mm
B	Width travel gear	2,450 mm	2,454 mm	2,521 mm
C	Transport length	6,314 mm	6,314 mm	6,314 mm
D	Digging depth max.	4,211.7 mm	4,211.7 mm	4,211.7 mm
E	Piercing depth max.	2,858.3 mm	2,858.3 mm	2,858.3 mm
F	Piercing height max.	8,262.4 mm	8,262.4 mm	8,262.4 mm
G	Dumping height max.	5,582.1 mm	5,582.1 mm	5,582.1 mm
I	Max. reach at ground level	7,660.4 mm	7,660.4 mm	7,660.4 mm
J	Tail swing radius	1,690 mm	1,690 mm	1,690 mm
K1	Boom offset max. (to center of bucket right side)	940 mm	940 mm	940 mm
K2	Boom offset max. (to center of bucket left side)	625 mm	625 mm	625 mm
L	Stacking height max. (dozer blade above surface)	390 mm	390 mm	390 mm
M	Digging depth max. (dozer blade below surface)	136 mm	136 mm	136 mm
N	Wheel base	2,200 mm	2,200 mm	2,200 mm
O1	Max. swivel angle (arm system to the left)	70 °	70 °	70 °
O2	Max. swivel angle (arm system to the right)	55 °	55 °	55 °



**ETOP**  
creat să reziste

Republica Moldova, MD-2023  
mun. Chișinău, str. Uzinelor 90  
+ /373/ 67 707 707  
office@etop.md  
www.etop.md