



**WACKER  
NEUSON**  
*all it takes!*



## ET145

### Tracked Conventional Excavator

The champion in the compact class

The ET145 is one of the world's largest compact excavators, providing the power and performance of a larger model in a more compact package. It offers a perfect balance of power, maneuverability and stability. The ET145 features the most up-to-date innovations for comfortable and intuitive operation to tackle even bigger jobs.

### Highlights

- Swivel bracket
- Comfortable, fully glazed cab
- 7-inch display and rear-view camera
- Up to 5 additional control circuits ex work
- AUX II

### Technical Data

#### Hydraulic

Operating pressure hydraulics	320.0 bar
Hydraulic pump	Double variable and 2 gear pumps
Flow rate max.	305.0 l/min
Tank capacity	110.0 l

#### Mechanical - Output Details

Travel speed	5.1 km/h
--------------	----------

#### Mechanical Details

Length	7,788.0 mm
Width	2,490.0 mm
Height	2,786.0 mm
Operating weight (min.-max.)	15,551.0 - 17,275.0 kg
Digging depth (max.)	5,442.0 mm

#### Engine

Cooling	Water-cooling
Engine type	Diesel engine

Cylinder	4.0
Cylinder capacity	3,621.0 cm <sup>3</sup>
Fuel	Diesel EN 590
Effective power	55.0 KW
Nominal Engine speed	2,050.0 1/min
Exhaust-gas limit	EU Stage V
Battery capacity (nom. value)	120.0 Ah
Engine Manufacturer	Perkins
Engine Designation	904J-E36TA

#### Environment Data

Sound power LWA, guaranteed	99.0 dB(A)
-----------------------------	------------

#### Chassis

Operating pressure	240.0 bar
--------------------	-----------

#### Shipping and Storage

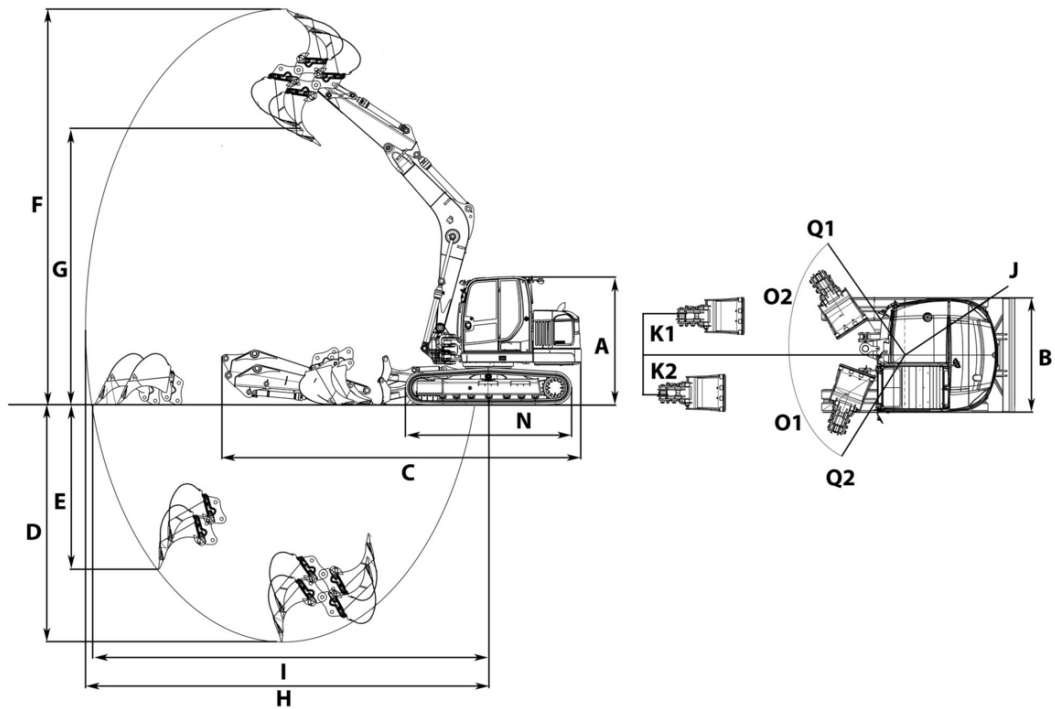
Shipping weight	14,917.0 kg
-----------------	-------------



**ETOP**  
creat să reziste

Republica Moldova, MD-2023  
mun. Chişinău, str. Uzinelor 90  
+ /373/ 67 707 707  
office@etop.md  
www.etop.md

## Dimensions



		Rubber-steel track	Hybrid track
A	Height with cab	2,786 mm	2,825 mm
B	Width of dozer blade	2,490 mm	2,490 mm
C	Transport length short shovel arm	7,720 mm	7,698 mm
	Transport length long shovel arm	7,788 mm	7,769 mm
D	Digging depth max., short shovel arm	4,981 mm	4,942 mm
	Digging depth max., long shovel arm	5,481 mm	5,442 mm
E	Piercing depth max., short shovel arm	3,089 mm	3,050 mm
	Piercing depth max., long shovel arm	3,550 mm	3,511 mm
F	Piercing height max., short shovel arm	8,228 mm	8,267 mm
	Piercing height max., long shovel arm	8,552 mm	8,591 mm
G	Dumping height max., short shovel arm	5,620 mm	5,659 mm
	Dumping height max., long shovel arm	5,945 mm	5,983 mm
H	Digging radius max., short shovel arm	8,261 mm	8,262 mm
	Digging radius max., long shovel arm	8,727 mm	8,727 mm
I	Max. reach at ground level (short shovel arm)	8,044 mm	8,032 mm
	Max. reach at ground level (long shovel arm)	8,527 mm	8,515 mm
J	Tail swing radius	2,017 mm	2,018 mm
K1	Boom offset max. (to center of bucket right side)	846 mm	846 mm
K2	Boom offset max. (to center of bucket left side)	638 mm	638 mm
N	Length travel drive	3,604 mm	3,662 mm
O1	Max. swivel angle (arm system to the left)	70 °	70 °
O2	Max. swivel angle (arm system to the right)	57 °	57 °
Q1	Boom swing radius right	2,643 mm	2,643 mm
Q2	Boom swing radius left	2,322 mm	2,322 mm



**ETOP**  
creat să reziste

Republica Moldova, MD-2023  
mun. Chișinău, str. Uzinelor 90  
+ /373/ 67 707 707  
office@etop.md  
www.etop.md